



The machine helps chicken and spices to be evenly coated together before processing.

Rotary Marinator

As a necessity, the more society develops, the quality of life is improved, leading to the food service industry developing day by day. Restaurants and eateries serve an increasing number of diners every day. Understanding that need, Nguyen Phuong Company has developed and manufactured a equipment for serving in the catering industry that is both fast, convenient as well as saving time for food preparation at the same time in large quantities, which is "Food mixer".

Rotary marinator is the special purpose machine used to mix foods, especially fried chicken by rotating motion. The machine helps chicken and spices to be evenly coated together before processing.

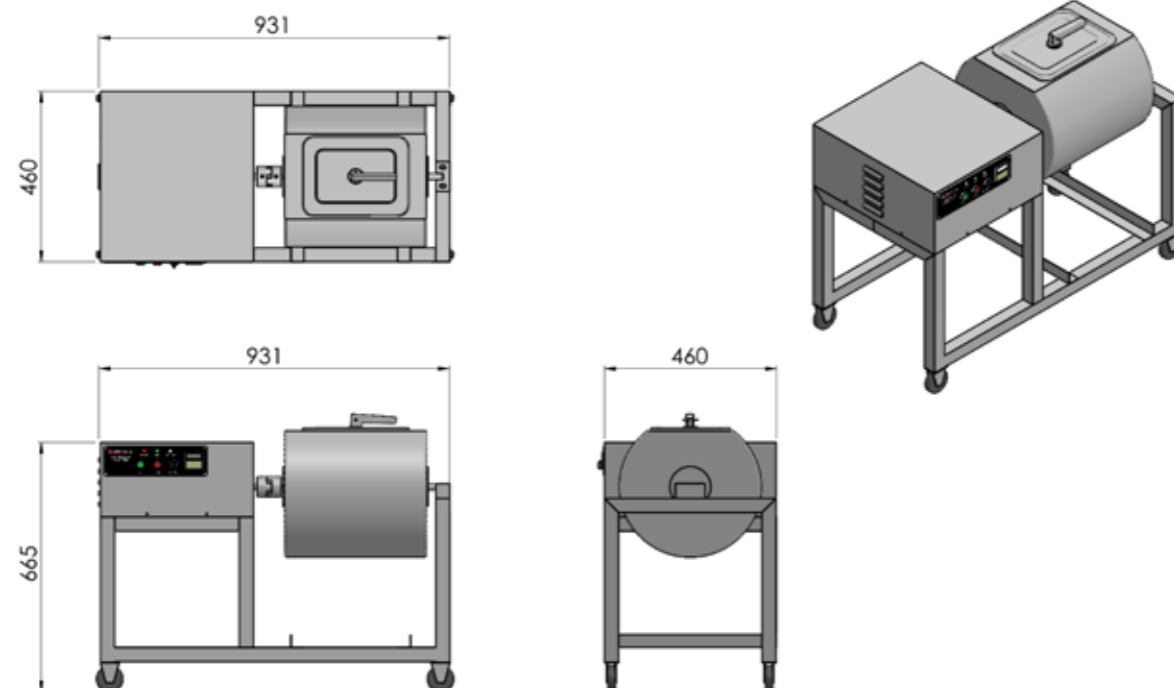
The machine can mix dry or wet foods.

Limit direct contact with food, ensure food hygiene and safety.

Save time and labor for the dough and seasoning mixing stage.

Suitable equipment for restaurants, fast food stores, convenience stores....

Bản vẽ kỹ thuật/ Technical Drawing



Phụ Kiện/ Accessories

1. Tủ đá inox âm quầy

- ◆ Tủ đá thích hợp dùng trong quán café, trà sữa, quầy bar, nhà hàng, cửa hàng tiện lợi...
- ◆ Thiết kế âm quầy giúp tiết kiệm không gian sử dụng.
- ◆ Được sản xuất hoàn toàn bằng chất liệu thép không gỉ SUS304.
- ◆ Lớp foam cách nhiệt bằng Polyurethane với độ dày 40mm.
- ◆ Cửa lùa 2 lớp tiện dụng.
- ◆ Tặng kèm van khóa ống thoát nước.

Bảng thông số kỹ thuật/Technical data sheet

| Mã sản phẩm/Model | SWI35 | SWI48 | SWI70 |
|--------------------------------------|-------------|-------------|-------------|
| Kích thước/ Dimension (W x D x H) mm | 605x395x400 | 650x450x400 | 650x500x500 |
| Thể tích/Volume (litter) | 35 | 48 | 70 |
| Chất liệu/ Material | Inox 304 | Inox 304 | Inox 304 |

1. Ice Bin

- ◆ The Ice bin is suitable for coffee shops, milk tea shops, bars, restaurants, convenience stores, etc.
- ◆ The recessed design helps to save space.
- ◆ Manufactured entirely of SUS304 stainless steel.
- ◆ Polyurethane insulation foam has a thickness of 40mm.
- ◆ Convenient double layer sliding door.
- ◆ Supply with drain hose lock valve.

